

## Product Features

- Smooth action, without impact
- Small volume and light weight
- Easy regulation and maintenance
- Excellent and reliable sealing performance
- Separately controllable opening and closing speed
- Built-in strainer, to prevent the guide piping system from being blocked

NC300 silencing non-slam check valve is a hydraulically controlled diaphragm control valve with controllable opening and closing speed. When inlet pressure rises and exceeds the valve opening pressure, the valve will open gradually to avoid impact. When the back pressure is generated, the fluid will enter the air chamber of the valve, and the valve will close gradually to form a tight seal. The opening and closing speed can be adjusted by the opening angle of the guide piping needle valve.

The valve is particularly suitable for use in the situations where absolute sealing is required. Its rubber seal ring can ensure that the valve is of no leakage. In addition, the simple design of the valve can also ensure its reliability.

### Material Specifications

**Body/Bonnet:** Ductile Iron/Stainless Steel  
**Disc & Stem:** Stainless Steel  
**Piping:** Bronze/Stainless Steel/Rubber Hose  
**Diaphragm:** EPDM  
**Fasteners and Springs:** Stainless Steel

### Working Pressure Range

175PSI/235PSI  
 10Bar/16Bar

### Flange Standards

ANSI / BSEN / ISO / DIN

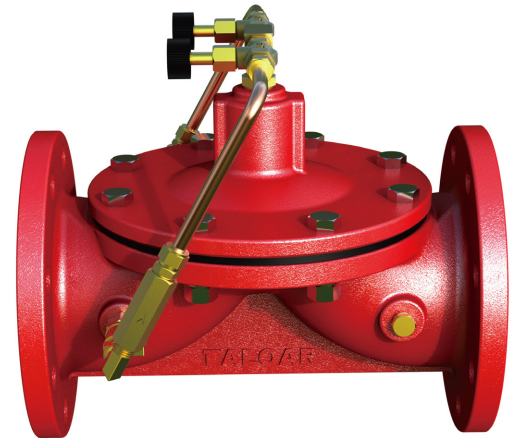
### Temperature/Medium

0°C~100°C normal temperature water

### Please Provide the Following Data When Ordering

Valve figure number/size/pressure grade/  
 connecting end type/other optional  
 accessories

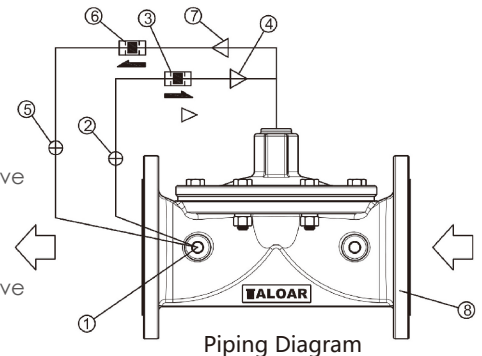
\* Note: In valve installation, it is strongly suggested that sufficient space should be left for easy maintenance in the future. A strainer shall be mounted in front of the valve to prevent foreign matters from blocking the valve.



NC300

### List of Accessories

- ① Strainer (Built-In)
- ② Ball Valve
- ③ Check Valve
- ④ Needle Type Regulating Valve
- ⑤ Ball Valve
- ⑥ Check Valve
- ⑦ Needle Type Regulating Valve

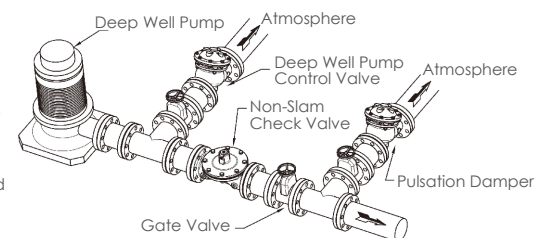


Piping Diagram

### Typical Applications

#### ● Deep Well Pump

In occasions where a deep well pump is required in design, the non-slam check valve should be installed. When the pump is shut down or sudden powered off, the non-slam check valve will close slowly to avoid the damaging water hammer caused by rapid back flow of fluid.



#### ● Booster Pump

Install NC300 non-slam check valve at the outlet of booster pump can prevent fluid from entering the water storage tank when the pump is shut down. The pressure relief valve shown in the diagram can effectively prevent the impact occurring during pump shutdown.

